

GENERAL FEATURES

Function : Normally closed
 Mounting Position : Optional
 Medium : Neutral fluids
 Ambient Temperature : 60°C (80°C)
 Medium Temperature : 25°C Cold water type
 90°C Hot water type
 Operating Pressure : 0,3 - 10 Bar
 Flow Direction : Marked with an arrow on the housing
 Attachments : Inlet male tread R 3/4"
 Outlet pipe Ø 10.5mm
 Fastening Possibilities : Bracket with M4 holes
 (Hole distance 45mm or 56mm)
 Quick fastener

ELECTRICAL SPECIFICATIONS

Voltage : 220/240 V(AC), 50/60 Hz
 (Other types according to customer requirements)
 Operating Rate : At Tm 25°C, 100%
 At Tm 90 °C, 3min./5min.
 Power Input : 7 W
 Attachments : Faston A 6,3 x 0,8 according to DIN 46244
 Appliance Classification : II according to VDE 0730, VDE EN 60730

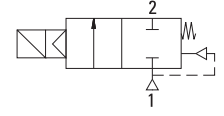
MATERIALS

Housing : PA 6.6, 30% GF
 Core Holder : PA 6.6, 30% GF
 Coil Casing : Electrical and thermal insulation, self-est. PP (UL94 V2)
 Core and Spring : Stainless steel
 Diaphragm, Flow Regulator and Rubber Cap: EPDM rubber, NBR rubber
 Filter : POM
 Copper-Lacquer Wire : Insulation classification F according to VDE 0530

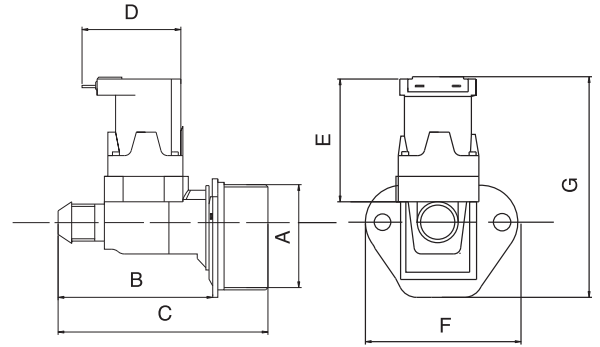
APPROVAL

All General Types : VDE

Normally Closed



S8710 / S8770 / S8780 (N.C)



Dimensions (mm)

A	B	C	D	E	F	G
1"	68	88	45	46	55	70

Valve Type / Order no	New Valve Type / Order no	Connection Size	Orifice size	Pressure		KV	Fluid Temperature		Seal	Weight
				min	max		min	max		
T-PL2 / T-PLM2 T-PLN2	S8710 / S8770 S8780	G	mm	bar	bar	lt/min	°C			(kg)
T-PL2 102	S8710.04	3/4" inlet Ø10.5 outlet with bracket	10	0.3	10	26	-10	140	EPDM	0.1
T-PLM2 102	S8770.04		10	0.3	10	26	-10	140	EPDM	0.1
T-PLN2 102	S8780.04		10	0.3	10	26	-10	140	EPDM	0.1